



# R100 & R/T100 Flow Analysers

The Lake Monitors R100 and R/T100 Flow Analyzers Integrates with Lake's flow rate transmitters and FlowStat® to form a powerful flow control and measurement system.



## SIMPLE TO USE

Every unit ships with easy-to-use, step by step instructions regarding programming and system setup.

## EASY TO READ

Features 6 digits of bright red 7-segment LED displays that are 0.55 inches high.

## TWO PROGRAMMABLE RELAYS

The standard 10 Amp form C relays allow precise flow rate and batch control.

## DUAL POWER OPERATION

Units are designed to operate on 110 VAC or 12-24 VDC.

## USER SELECTABLE ANALOG INPUT

The R100 and R/T100 permits standard analog inputs of 0-5V, 0-10V, 1-5V, 4-20mA and 0-20mA.

## RATE FUNCTION: R100 AND R/T100

Displays 4.5 digits of user scalable flow rate information.

## TOTALIZER FUNCTION: R/T100

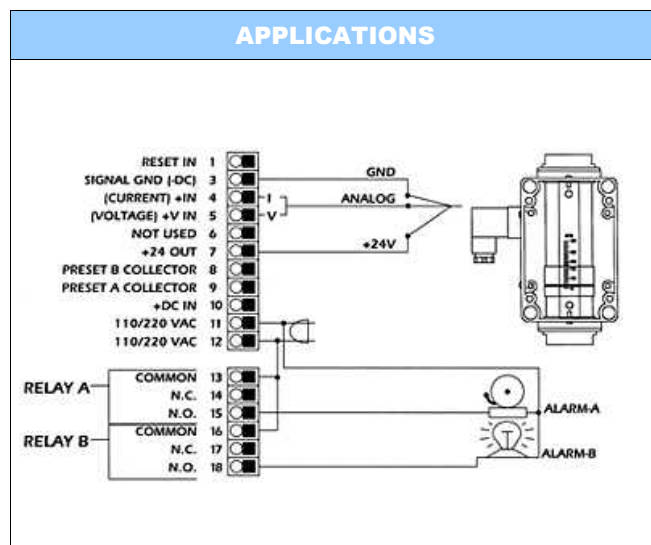
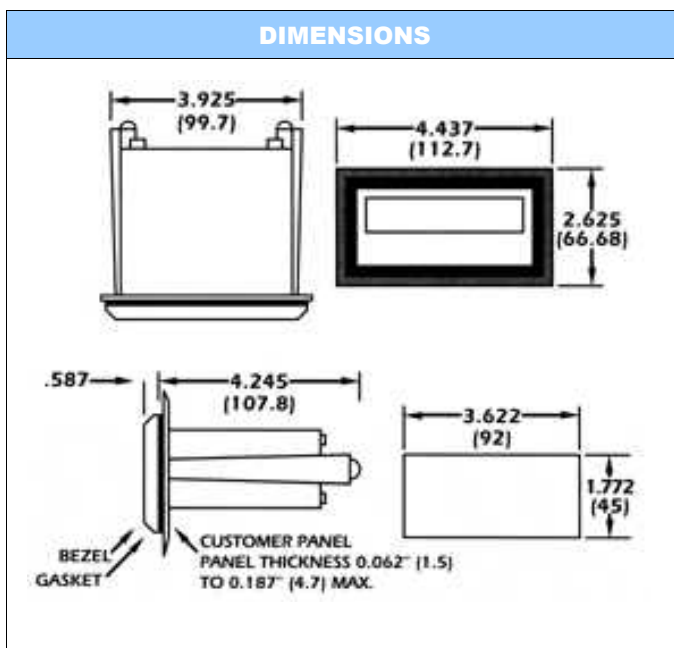
Accumulates up to 6 digits of information.

The totaliser divider allows total division by 1, 10, 100 or 1000.



MECHANICAL PERFORMANCE	
Enclosure size:	1/8 DIN, 3.63" x 1.78" cutout
Construction:	high impact ABS
Temperatures:	Operating: +41°F (5°C) to +130°F (54°C) Storage: -40°F (-40°C) to +200°F (93°C)
Humidity:	0-90% non-condensing
Weight:	2 lbs
Connections:	via terminal blocks

ELECTRICAL PERFORMANCE	
Measuring accuracy:	±0.25% maximum measuring error.
Temperature stability:	<20 ppm over operating range
Input power:	110VAC ±15% (8VA) or 12-24VDC (300mA)
Display:	6 digit red LED, 0.55" high digits
Analog inputs:	4-20mA, 0-20mA, 0-5VDC, 1-5VDC or 0-10VDC Selectable from the front panel
Input impedance:	current inputs: 100 Ohms voltage inputs: 115K
Ohms Resolution:	14.5 bits
Input protection:	over voltage: 50V over current: 50mA
Relays:	two SPDT, 10A @ 120/240VAC or 28VDC



## Analogue & Digital Measurements P/L

ABN: 57 005 531 484

27 Cumberland Drive, Seaford, 3198

Victoria Australia

<http://admeasure.com.au>

[sales@admeasure.com.au](mailto:sales@admeasure.com.au)

Ph: +61 3 8770 6500